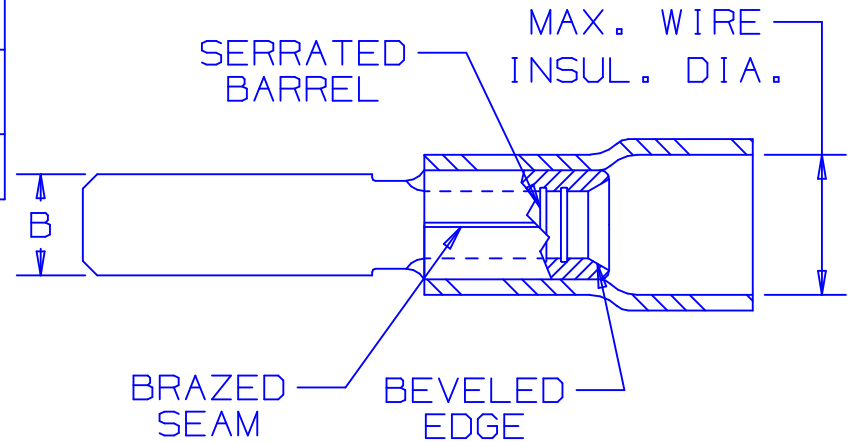
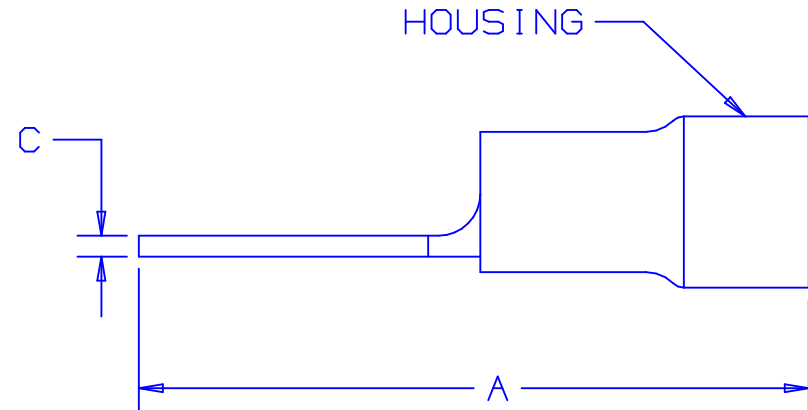


PART NUMBER		WIRE RANGE AWG	MAX. WIRE INSUL. DIA.	HOUSING COLOR	DIMENSIONS in.		
PREFIX	PK				A $\pm .03$	B $\pm .010$	C $\pm .01$
DV18-145M	-C -M -MY	22-18	.15 (3,8)	RED	.97 (24,6)	.145 (3,7)	.03 (0,76)
DV14-145M	-C -M	16-14	.17 (4,3)	BLUE	.97 (24,6)	.145 (3,7)	.03 (0,76)



NOTES:

- UL RECOGNIZED AND CSA CERTIFIED FOR:
 - 600V. MAX. VOLTAGE RATING
 - 221° F (105° C) MAX. TEMP. RATING
 - FOR STRANDED COPPER WIRE ONLY
- MATERIAL:
 - STAMPING - .032" (0.8) THK COPPER TIN PLATED
 - HOUSING - VINYL
- PACKAGE QTY: STD. PKG. -C=100
BULK PKG. -M=1000, -MY=1000
- DIMENSIONS IN BRACKETS ARE IN MILLIMETERS
- INSTALLATION TOOLS:
 - UL RECOGNIZED AND CSA CERTIFIED: CT-500, CT-550, CT-1551, CT-1550
 - PANDUIT APPROVED: CT-160, CT-260, CT-100, CT-250, CT-400, *CT-460
*RECOMMENDED FOR DV14-145M ONLY
- WIRE STRIP LENGTH: $9/32^{+1/32}_{-0}$ (7.1 $^{+.8}_{-0}$)



CERTIFIED
LR31212



RECOGNIZED
E78522

08	5/05	JHNU		ADDED PACKAGING CODE "MY" TO DRAWING.			
07	11/04	KLFUS	SKB	REMOVED LOGO FROM TOP OF TAB	12453	SKB	TRO
06	1/01	RMSKB		FILESPEC WAS N41321AA_PCD_05	08925	JAC	CCH
05		JKD		ADDED CT-1551 & CT-1550 TOOLS	07632		
04	10/94	TH	RLS	UPDATED NOTES AND DIMENSIONS	02571	LCA	TFKE
REV	DATE	BY	CHK	DESCRIPTION	ECN #	CUST	PM

A41321_08

PANDUIT CORP.

TINLEY PARK, ILLINOIS

VINYL INSULATED .145 X .032
(3.68 X 0.81) MALE TAB

DRAWN BY	CHK'D	SCALE	DRAWING NO.
DAW		NONE	A41321